

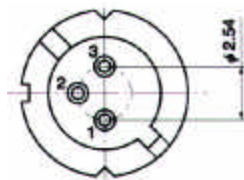
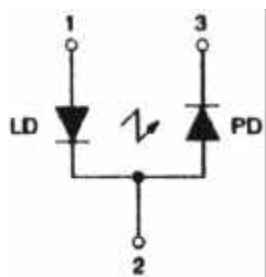
LASERDIODE DRIVER "CCA"

Common laserdiode-Cathode and photodiode-Anode

TECHNICAL DATA:

- dimension: 26 x 53 mm²
- supply voltage: min. 2.7 VDC ($U_{FLD} + 1.0$ VDC) up to max. 6.0 VDC
- max. laserdiode current: typ. 120 mA (optional > 1A)
- adjustable monitorcurrent: 7.2 μ A ... 360 μ A
- laserdiode power adjustable from 0 bis max.
- laserdiode power independent from supply voltage
- low noise

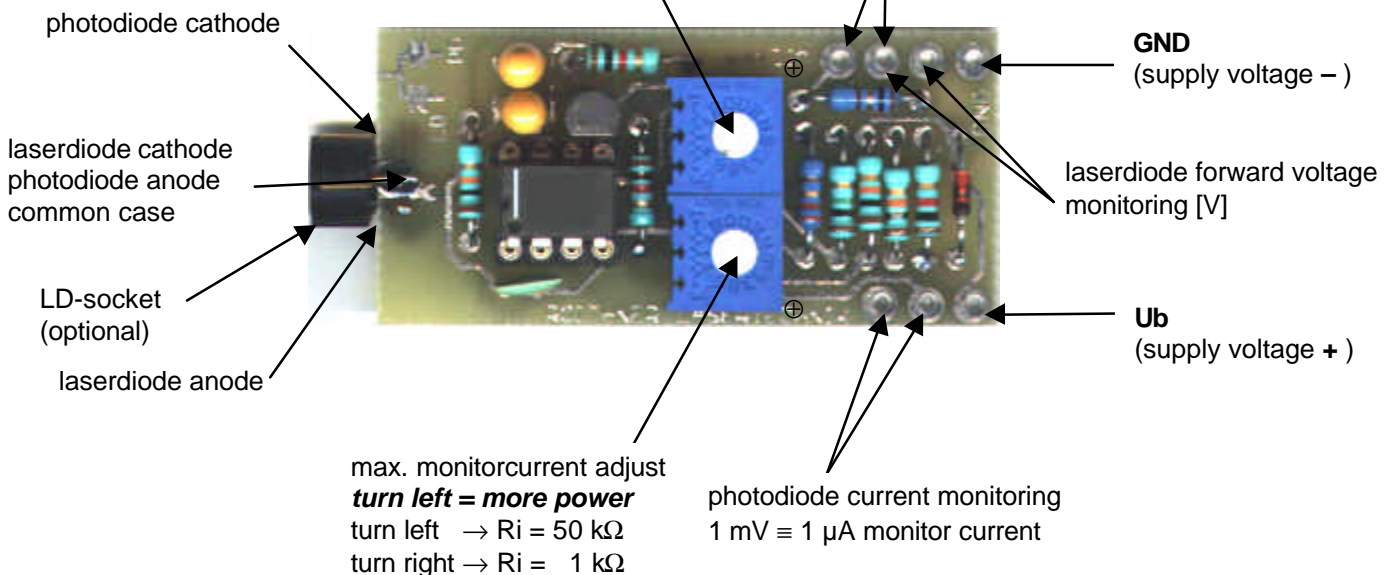
LASERDIODE PINNING:



- 1) laserdiode anode
- 2) laserdiode cathode and photodiode anode = case
- 3) photodiode cathode

laserdiode power adjust
turn left = more power

laserdiode current monitoring
1 mV \equiv 1 mA laserdiode current



ROITHNER LASERTECHNIK

A-1040 WIEN, FLEISCHMANNGASSE 9

TEL: +43 -1- 586 52 43 FAX: +43 -1- 586 41 43

e-mail: office@roithner-laser.com <http://www.roithner-laser.com>