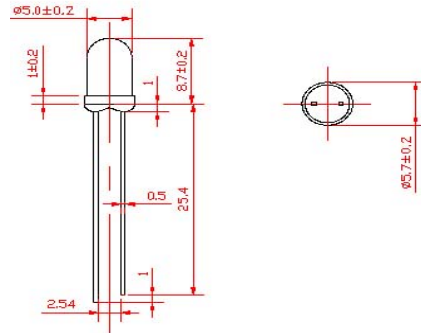


Technical Data

Package Dimension [mm]

DESCRIPTION

Type	UV-LED 380D30
Dice Material	GaN
Light Color	UV
Lens Color	Water Clear UV Resistent
Lens Dimension	5 mm



Absolute Maximum Ratings at Ta = 25 °C

PARAMETER	MAX	UNIT
DC Forward Current	30	mA
Reverse Voltage	5	V
Power Dissipation	100	mW
Operation Temperature	Topr: -30 - +80	°C
Storage Temperature	Topr: -30 - +100	°C

Lead Soldering (MAX. 5 Seconds, 1.6 mm from body) Temperature 260 °C

Electrical Optical Characteristics at Ta = 25 °C

DESCRIPTION	SYMBOL	TEST CONDITION	MIN	TYPE	MAX	UNIT
Forward Voltage	Vf	If = 20 mA	-	3,5	4,5	V
Reverse Current	Ir	Vr = 5 V	-	-	10	µA
Peak Emission Wavelength	λp	If = 20 mA	378	-	383	nm
Spectral Line Halfwidth	dλ	If = 20 mA	-	15	-	nm
Viewing angle	2θ1/2	If = 20 mA	-	30	-	Deg
Luminous Intensity	Iv	If = 20 mA	65	-	120	mcd

Soldering shall be performed after lead forming.

All dimensions are in millimeters.

Static electricity damages the LEDs. It is recommended to fully care when handling products.

ROITHNER LASERTECHNIK
 VIENNA AUSTRIA
www.roithner-laser.com
office@roithner-laser.com
 Tel.: +43 1 586 52 43-0
 Fax: +43 1 586 52 43 44