

SPECIFICATION OF LED CHIP
C630-30W
[Orange]

1) Commodity Type and Physical Characteristics.

1. Material	InGaAlP		
2. Electrode	Top Side	P (anode)side	:Au Alloy/ Pad
	Bottom Side	N (cathode)side	:Au Alloy
3. Electrode Pattern	Fig.1		
4. Chip Size	Fig.2		
5. Chip Thickness	Fig.2		
6. Emission Area	Fig.2		

2) Electro-Optical Characteristics [Ta=25°C]

Parameters	Symbol	Condition	Min.	Typ.	Max.	Unit
Forward Voltage	Vf	If=20mA		2.2	2.6	V
Reverse Current	Ir	Vr=5V			10	uA
Brightness	Iv	If=20mA		150		mcd
Power Intensity	Po	If=20mA		5		mW
Peak Wavelength	λp	If=20mA	630	635	640	nm
Spectral Radiation Bandwidth	Δλ	If=20mA		20		nm
RiseTime	tr	If=20mA				ns
FallTime	tf	If=20mA				ns

‡ Die shall be mounted on TO=18 gold header without resin coated.

[Unit: um]

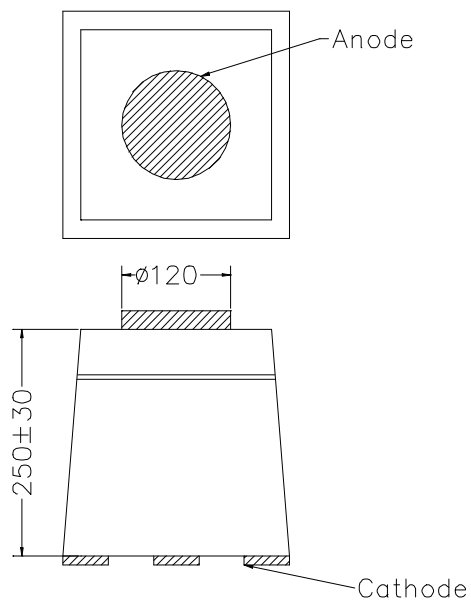
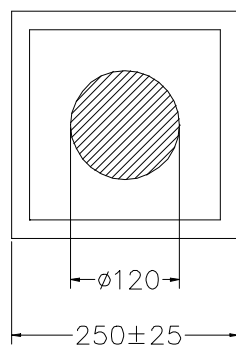


Fig.1 Electrode Pattern

Fig.2 Chip size and Emission Area