

LED375-66-60-110 Flat Lens Type UV Light Illuminator

LED375-66-60-110 is a wide viewing and extremely high output power illuminator assembled with a total of 60 high efficiency InGaN UV diode chips, mounted on a metal stem TO-66 and covered with Flat Glass Cap.

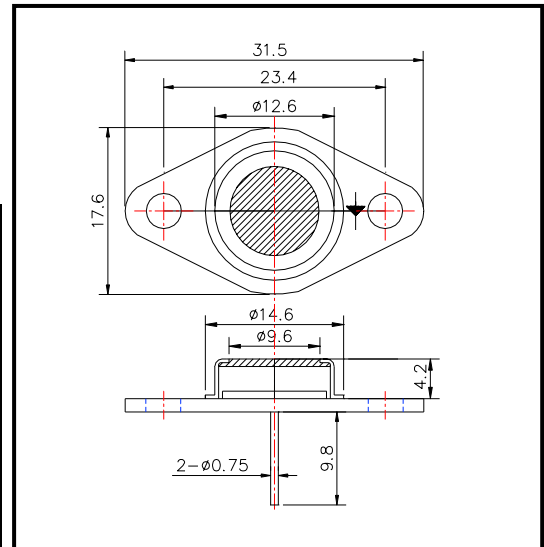
Features

1) High reliability
2) Compact (TO-66) package
3) High output power at 375 nm

Specifications

1) Product name	UV Light Illuminator
2) Spec. No.	LED375-66-60-110
3) Chip	
(1) Material	InGaN
(2) Peak wavelength	375 nm
4) Package	
(1) Stem	TO-66 stem
(2) Lens	flat glass cap

Outer dimension (Unit: mm)



Absolute Maximum Ratings

Item	Symbol	Maximum Rated Value	Unit	Ambient Temperature
Power Dissipation	P _D	5.0	W	T _a = 25°C
Forward Current	I _F	300	mA	T _a = 25°C
Pulse Forward Current	I _{FP}	-	mA	T _a = 25°C
Reverse Voltage	V _R	20	V	T _a = 25°C
Operating Temperature	T _{OPR}	-30 ~ +80	°C	
Storage Temperature	T _{STG}	-30 ~ +100	°C	
Soldering Temperature	T _{SOL}	240	°C	

‡Pulse Forward Current condition: Duty = 1% and Pulse Width = 1 μs.

‡Soldering condition : Soldering condition must be completed within 3 seconds at 260°C

Electro-Optical Characteristics

Item	Symbol	Condition	Minimum	Typical	Maximum	Unit
Forward Voltage	V _F	I _F = 200 mA		17.0		V
Brightness	I _V	I _F = 200 mA		-		mcd
Total Radiated Power	P _O	I _F = 200 mA		150		mW
Radiant Intensity	I _E	I _F = 200 mA		-		mW/sr
Reverse Current	V _R	I _R = 10 μA	20			V
Peak Wavelength		I _F = 200 mA	365	375	385	nm
Half Width		I _F = 200 mA		17		nm
Viewing Half Angle		I _F = 200 mA		±55		deg.

‡Heat sink is required thermal resistance <8 K/W

ROITHNER LASERTECHNIK, 1040 Vienna, Austria, Schoenbrunner Str. 7

Tel: +43 1 586 52 43-0, Fax: +43 1 586 52 43-44

office@roithner-laser.com, www.roithner-laser.com