

LED525-66-60 epoxy lens type pure GREEN color illuminator

LED525-66-60 is a wide viewing and extremely high output power illuminator assembled with a total of 60 high efficiency InGaN diode chips, mounted on a metal stem TO-66 with AlN ceramics and covered with double coated clear silicone and epoxy resin.

These devices are designed for high current operation with proper heat sinking to improve thermal conductive efficiency.

Features

- 1) High reliability
- 2) Compact (TO-66) package
- 3) High output power at 525 nm

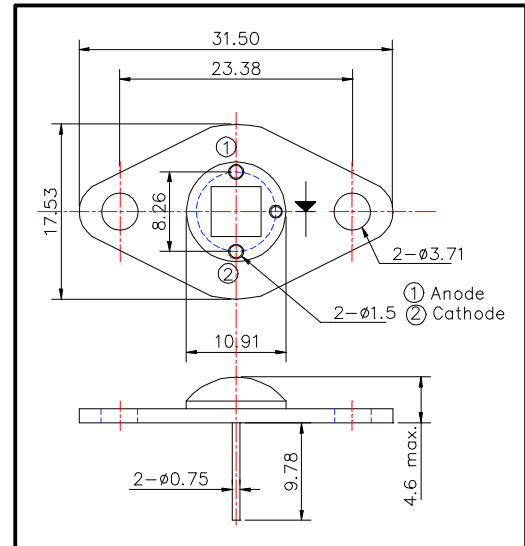
Applications

- 1) For high intensity lighting source

Specifications

- | | |
|---------------------|-------------------------------|
| 1) Product name | Green color illuminator |
| 2) Spec. No. | LED525-66-60 |
| 3) Chip | |
| (1) Material | InGaN |
| (2) Peak wavelength | 525 nm |
| 4) Package | |
| (1) Stem | TO-66 stem with AlN |
| (2) Lens | Clear silicone and epoxy lens |

Outer dimension (Unit: mm)



Absolute Maximum Ratings

Item	Symbol	Maximum Rated Value	Unit	Ambient Temp.
Power Dissipation	P _D	7.5	W	T _a =25°C
Forward Current	I _F	400	mA	T _a =25°C
Pulse Forward Current	I _{FP}	2000	mA	T _a =25°C
Reverse Voltage	V _R	50	V	T _a =25°C
Operating Temperature	T _{OPR}	-30 ~ +80	°C	
Storage Temperature	T _{STG}	-30 ~ +110	°C	
Soldering Temperature	T _{SOL}	240	°C	

‡ Pulse Forward Current condition: Duty=1% and Pulse Width=1us.

‡ Soldering condition: Soldering condition must be completed within 3 seconds at 260°C

Electro-Optical Characteristics

Item	Symbol	Condition	Minimum	Typical	Maximum	Unit
Forward Voltage	V _F	I _F =240mA		19.0		V
Brightness	I _V	I _F =240mA		7000		mcd
Total Radiated Power	P _O	I _F =240mA		120		mW
Radiant Intensity	I _E	I _F =240mA		12		mW/sr
Reverse Current	V _R	I _R =10uA	30			V
Peak Wavelength	I _P	I _F =240mA	515	525	535	nm
Half Width	DI	I _F =240mA		30		nm
Viewing Half Angle	Q _{1/2}	I _F =240mA		±60		deg.

‡ Heat sink is required thermal resistance <8K/W

ROITHNER LASERTECHNIK, A-1040 Vienna, Austria, Schoenbrunner Strasse 7
 Tel.: +43-1-586 52 43 - 0, Fax.: +43-1-586 52 43 44
 e-mail: office@roithner-laser.com, <http://www.roithner-laser.com>