

LED Optic

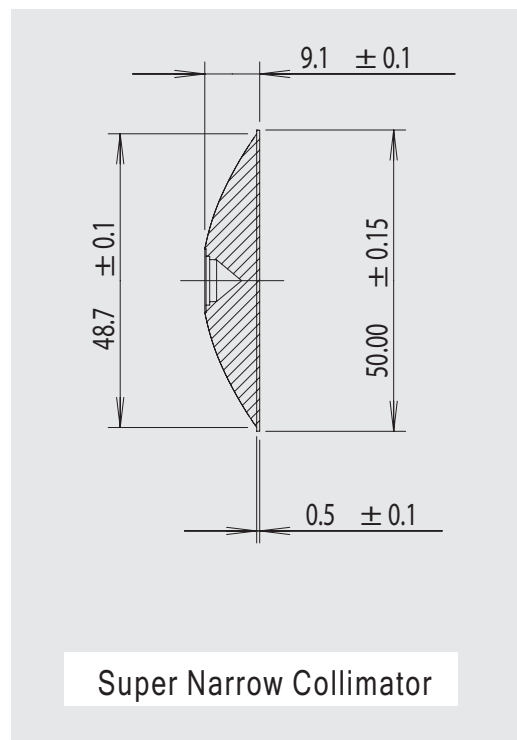
Super Narrow Collimator



- Optimised for Luxeon LED's
- High efficiency
- Compact Design
- Optical Grade Polycarbonate
- Thermally stable

The Super Narrow Collimator has been designed for specialist applications where a narrow - high brightness light beam is required. The collimator uses a double reflection technique to create a beam with narrow spacial distribution.

Typical applications for the Collimator include warning lights, cycle lights, signals and spot lights. The Collimator is manufactured from lens quality polycarbonate which is thermally stable and extremely durable.



<p>Circular Super Narrow Collimator</p>		
<p>Part No. 10025</p>		
<p>Typical half angle divergence $2^{\circ} \pm 1^{\circ}$ when used with 1W White Luxeon LED</p>		