



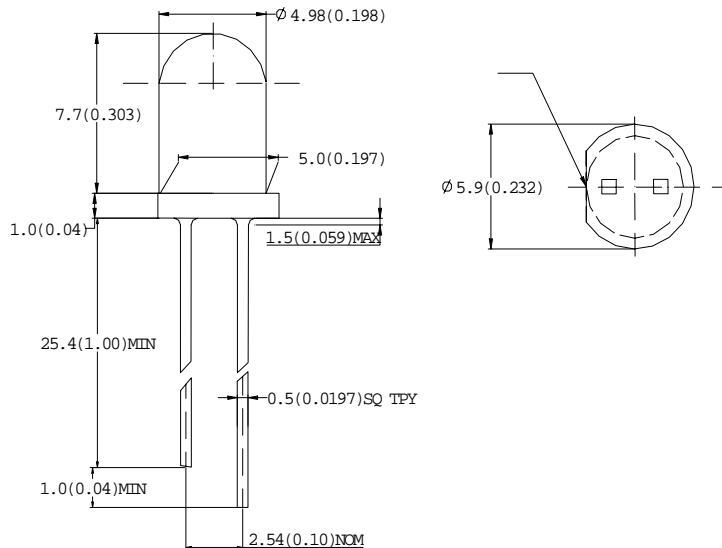
RLS-UV380

ABSOLUTE MAXIMUM RATINGS Ta = 25°C

| | |
|----------------------------|-------------------|
| Reverse Voltage | 5 VDC |
| Reverse Current (VR=5VDC) | 10 μA |
| Operating Temperature | -40°C~85°C |
| Storage Temperature | -40°C~100°C |
| Lead Soldering Temperature | 250°C (5 seconds) |
| Power Dissipation | 60 mW |

ELECTRICAL AND OPTICAL CHARACTERISTICS Ta = 25°C

| Emitted Color | Peak Wavelength (20 mA) | Lens Appearance | Absolute Maximum Ratings | | | ELECTRICAL (20 mA) | | | | Viewing Angle 2θ 1/2 (deg) |
|---------------|-------------------------|-----------------|--------------------------|---------|--------------|--------------------|-----|----------|-----|----------------------------|
| | | | Pd (mW) | IF (mA) | Peak If (mA) | Vf (v) | | IV (mcd) | | |
| Ultra Violet | λp(nm) | Water Clear | | | | typ | max | min | max | |
| | 380-385 | | 60 | 20 | 150 | 3.4 | 3.7 | 30 | 60 | 15±2 |



NOTES: All dimensions are in millimeters (inches), Tolerance is $\pm 0.25\text{mm}(0.01)$ unless otherwise specified
 This product is sensitive to static electricity and care must be fully taken when handling this product
 Lead spacing is measured where the leads emerge from the package
 Specifications are subjected to change without notice