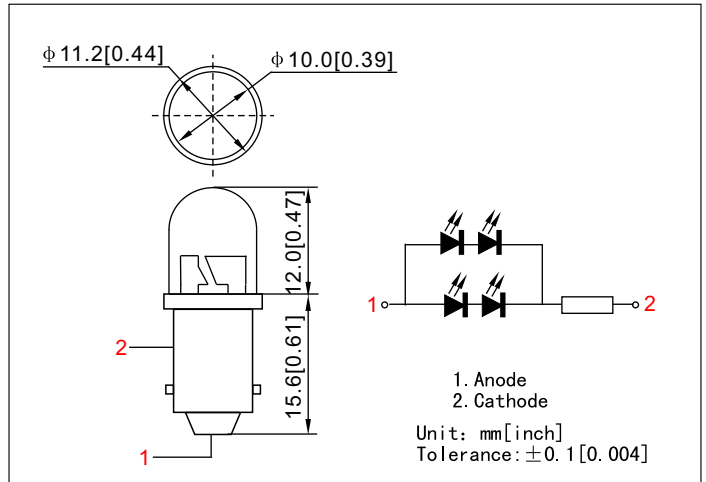
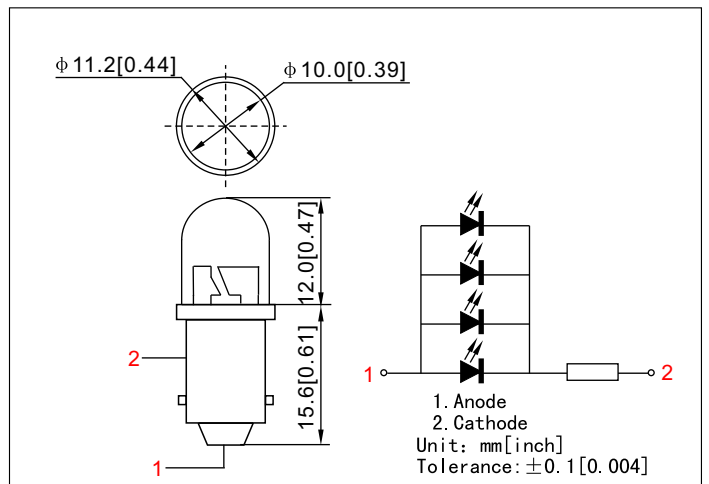


# Auto Turning LED Lamps



				$V_{DD}(V)$	$\lambda_D(nm)$		$I_V(mcd)$		$I_R(\mu A)$ AT $V_R=20V$	$2\theta_{1/2}$ ( $^\circ$ )
					Min.	Max.	Min.	Max.		
T1- 10G43HWBC	InGaN			12	515	525	6000	9000	<10	60
T1- 10B43HWBC	InGaN			12	460	470	2000	5000	<10	60



				$V_{DD}(V)$	$\lambda_D(nm)$		$I_V(mcd)$		$I_R(\mu A)$ AT $V_R=5V$	$2\theta_{1/2}$ ( $^\circ$ )
					Min.	Max.	Min.	Max.		
T1- 10R43HWBB	AlGaInP			12	625	635	4000	7000	<30	60
T1-10Y43HWBB	AlGaInP			12	585	595	4000	7000	<30	60