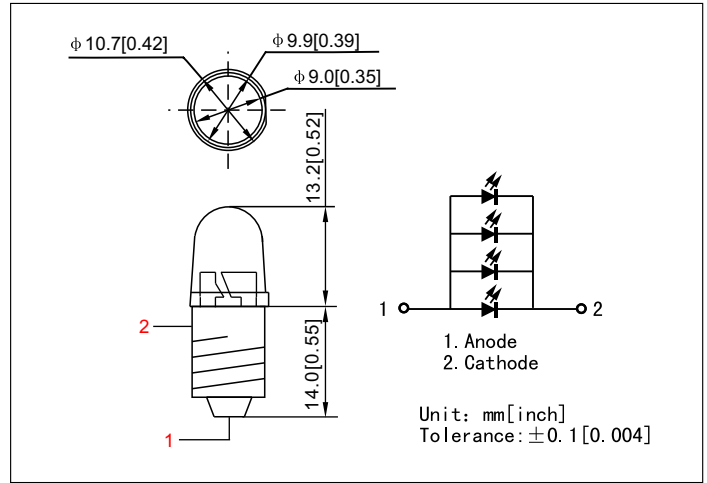
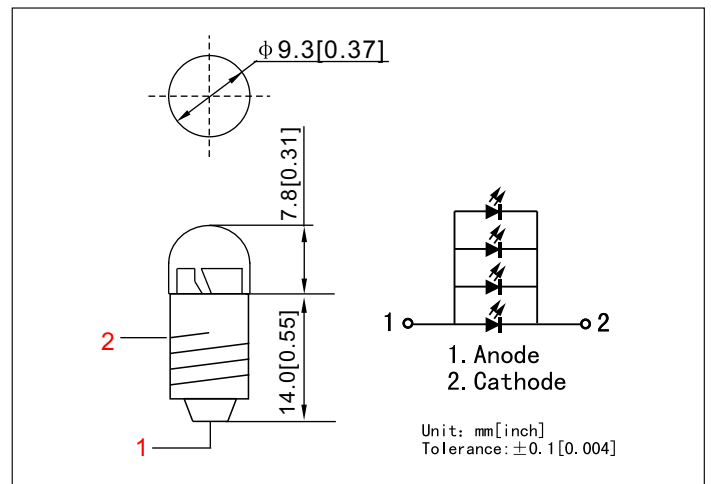


Flashlight LED Lamps



				$V_{DD}(V)$	$I_V (mcd)$		$I_R (\mu A)$ AT $V_R=5V$	$2\theta_{1/2}$ ($^\circ$)
					Min.	Max.		
					: $I_{DD}=80mA$			
F1- 10W4DHCVB-H	InGaN			1.5	22000	30000	<30	15
F1- 10W4DHCVB-H	InGaN			3.0	22000	30000	<30	15



				$V_{DD}(V)$	$I_V (mcd)$		$I_R (\mu A)$ AT $V_R=5V$	$2\theta_{1/2}$ ($^\circ$)
					Min.	Max.		
					: $I_{DD}=80mA$			
F2- 10W4DHCBB-H	InGaN			1.5	2500	3500	<30	140
F2- 10W4DHCBB-H	InGaN			3.0	2500	3500	<30	140