

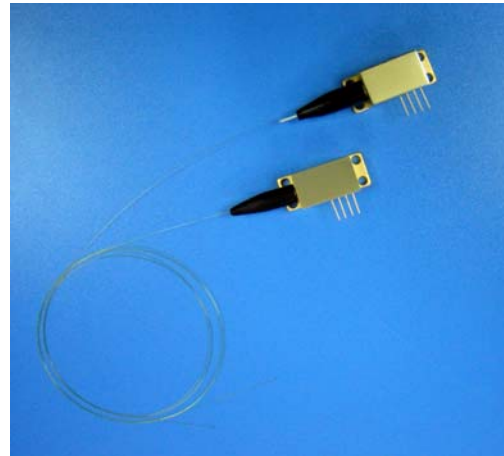
670 nm Laser Diode Module

Features

- 670 nm Fiber Coupled Laser Diode
- Uncooled cw Module
- Multimode Fiber Output

Applications

- Laser Pumping
- Medical Usage
- Printing
- Marking



Absolute Maximum Ratings (Tc = 25°C)

Optical Output Power	160 .. 200 mW
Operating Temperature Range	-10°C .. +75°C
Storage Temperature Range	-40°C .. +85°C

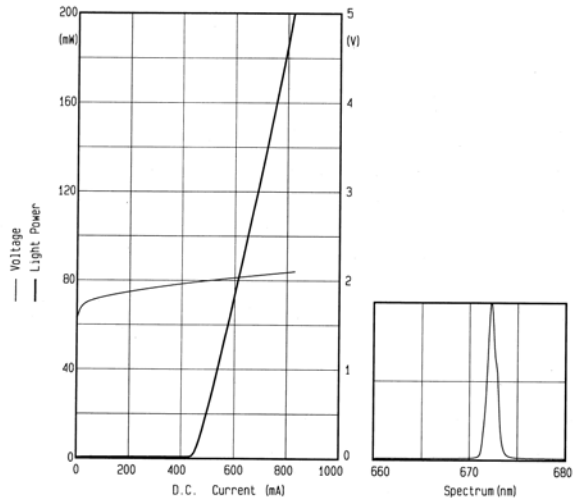
Specifications

Parameter	Type		Unit
	160	200	
CW Output Power	160	200	mW
Central Wavelength	660~680	660~680	nm
Spectral Width	<4	<4	nm
Wavelength Temperature Coefficient	0.3	0.3	nm/°C
Fiber Core Size	50	100	μm
N.A.	0.22	0.22	
Fiber Length	1	1	m
Connector	FC/ST/SMA-905	FC/ST/SMA-905	
Slope Efficiency	>0.6	>0.6	W/A
Threshold Current	450	450	mA
Operating Current	850	850	mA
Operating Voltage	<2.5	<2.5	V
Series Resistance	<0.3	<0.3	Ω
Package	P1	P1	

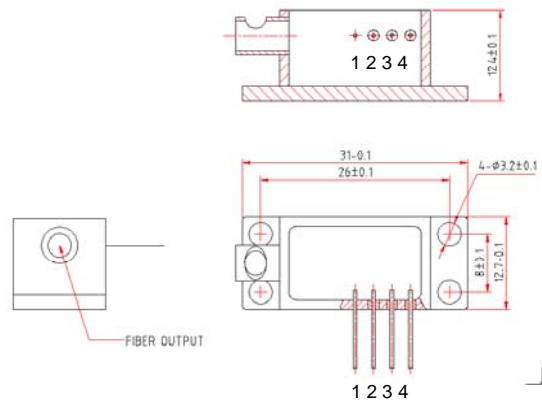
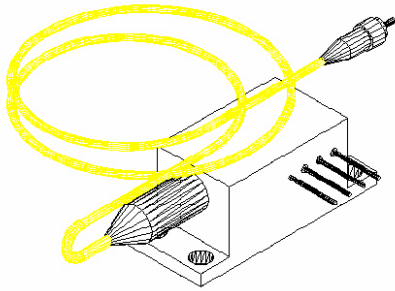
Typical Performance Graphs

06-10-2004
 Model : HT-200
 Serial No: 001

Po = 0.20 (W)
 Ith = 0.46 (A)
 Io = 0.83 (A)
 Vo = 2.10 (V)
 Es = 0.53 (W/A)
 Ep = 11.7 (%)
 Rd = 0.320 (Ω)
 λ = 672.3 (nm)
 δλ = 1 (nm)
 θ// = (deg)
 θ⊥ = (deg)
 Tc = 25 (°C)



Package Dimensions



Pinning:

1 = Laser Diode Anode (LD+)

2 = Laser Diode Cathode (LD-)

3 = N.C. (optional photodiode)

4 = N.C. (optional photodiode)

NOTES:

Wear ESD wrist straps when testing. After operating, module should be put on the ESD sponge to avoid damage as a result of static discharge.

Using the module according to the connection of pin assignment.

Keeping the end of pigtail and ceramic thimble clean to avoid degradation in optical output power.

The diameter of fiber coil should be not less than 25mm.

A dry and ventilated environment should be provided when storing module.

Excessive rated current and rated power will affect lifetime of the module.

Handle with care and avoid shocking modules, which will lead to damage.

Use the appropriate power supply. Commonly it's a constant current power supply to avoid the module damage.

Ordering Information

Multi-mode Laser Diode Module series, products number guide

FLMM-xxxx-x x x-xxx

