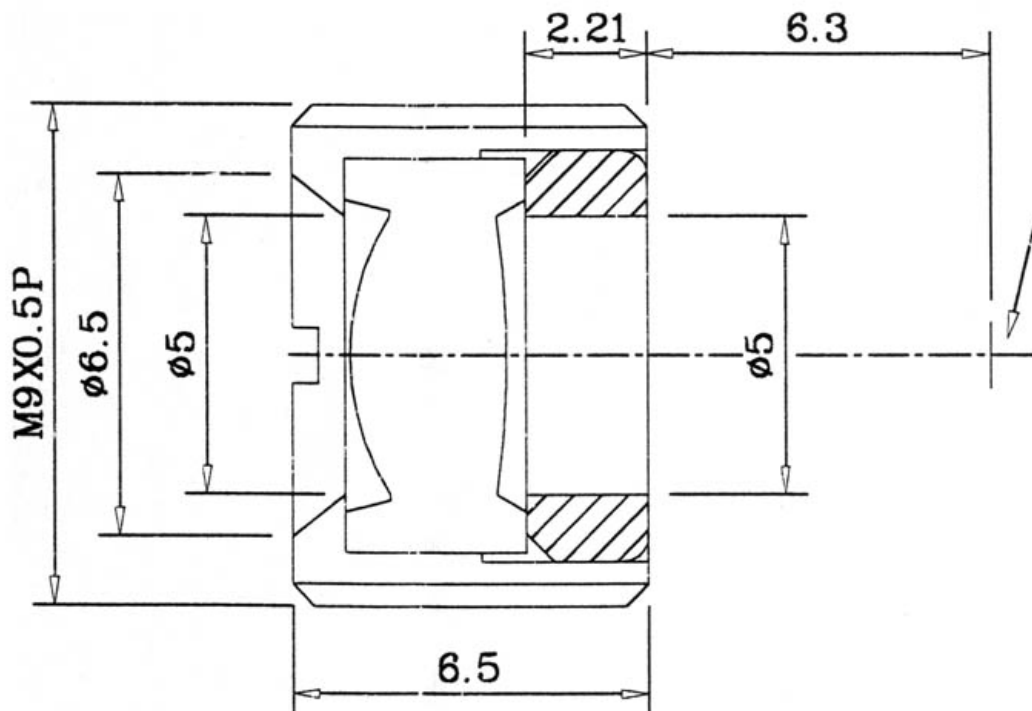


GS-7020-H

ACRYLIC LASERDIODE COLLIMATOR

SPECIFICATION

- acrylic material
- eff. focus length = 7.9 ± 0.05 mm
- back focus length = 6.3 ± 0.05 mm
- N.A. = 0.3
- RMS wavelength error = 0.01λ
- wavelength: 670 ± 20 nm
- dimension: M9X0.5P



ROITHNER LASERTECHNIK

A-1040 VIENNA, SCHOENBRUNNER STRASSE 7, AUSTRIA

TEL: +43 -1- 586 52 43-0 FAX: +43 -1- 586 52 43-44

e-mail: office@roithner-laser.com <http://www.roithner-laser.com>