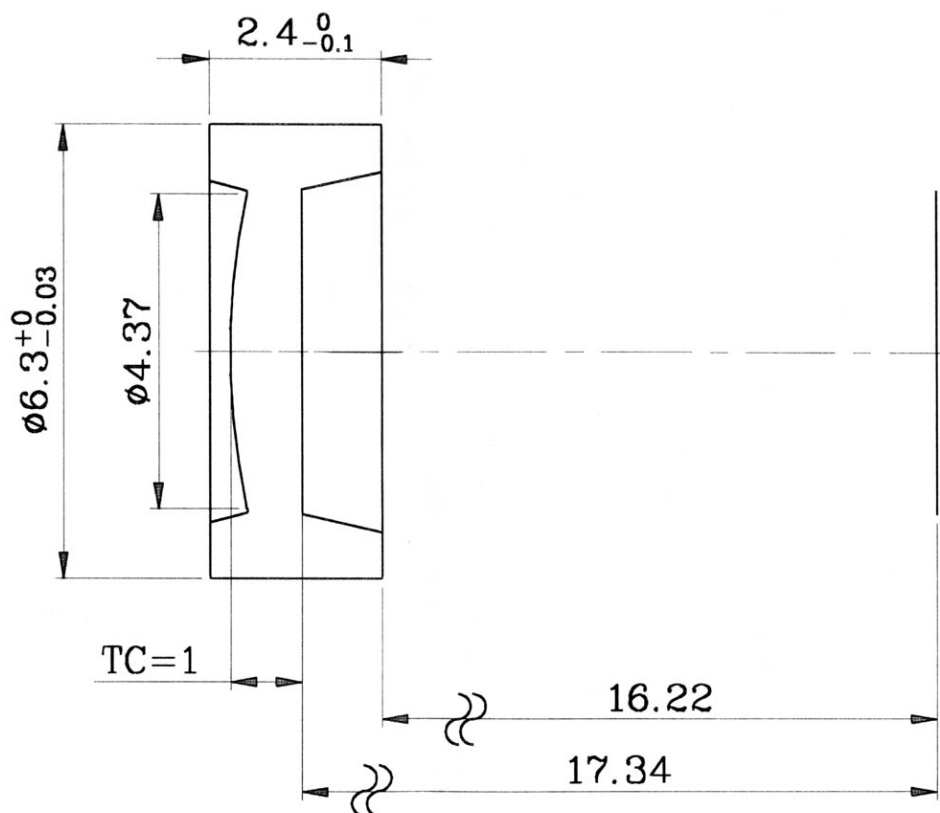


GS-7026-2C

ACRYLIC LASERDIODE COLLIMATOR

SPECIFICATION

- acrylic material
- both sides AR coated
- eff. focus length = 17.98 ± 0.05 mm
- distance to focal point = 16.22 ± 0.05 mm
- N.A. = 0.12
- RMS wavelength error = 0.03λ
- wavelength: 650 ± 20 nm
- object height (Y) max: 0.2 mm
- dimension: $\varnothing 6.30$ mm x 2.40 mm



ROITHNER LASERTECHNIK

A-1040 VIENNA, SCHOENBRUNNER STRASSE 7, AUSTRIA

TEL: +43 -1- 586 52 43-0 FAX: +43 -1- 586 52 43-44

e-mail: office@roithner-laser.com <http://www.roithner-laser.com>