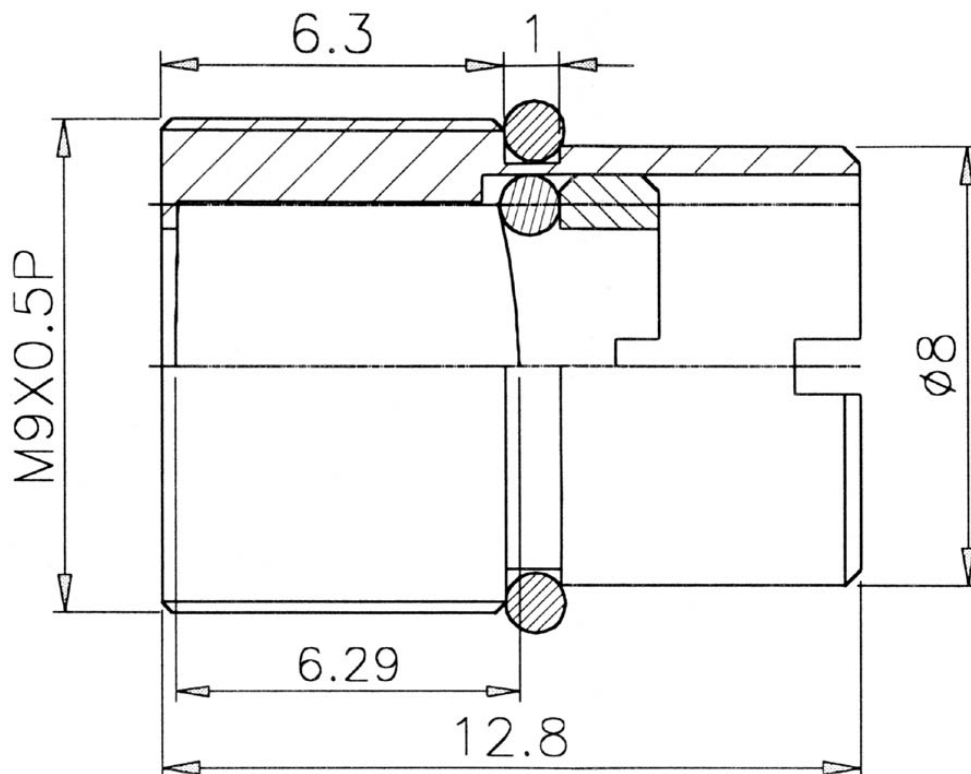
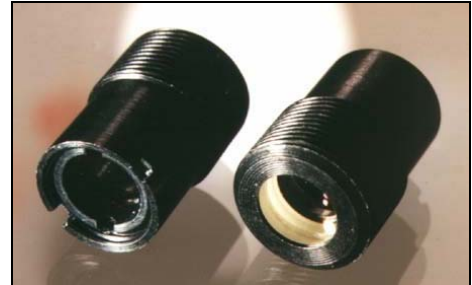


GS-8019

LASERDIODE COLLIMATOR

Technical Data:

- effective focal length = 8.0 mm
- NA = 0.3
- F/# = 1/1.6
- spot size @ 10 m: 20 mm
- 3-element glass lens, AR coated
- designed for 670 nm \pm 10 nm
- M 9 x 0.5 mm, length 12.8 mm
- divergence: 2 mrad, exit pupil = 5 mm



ROITHNER LASERTECHNIK

A-1040 VIENNA, SCHOENBRUNNER STRASSE 7, AUSTRIA

TEL: +43 -1- 586 52 43-0 FAX: +43 -1- 586 52 43-44

e-mail: office@roithner-laser.com <http://www.roithner-laser.com>