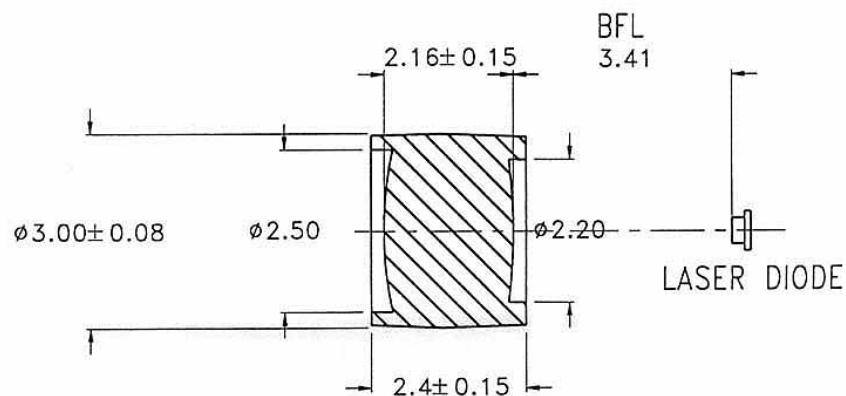


LC3

ACRYLIC LASERDIODE COLLIMATOR

3 Φ Collimating Lens for Laser Diode

1. Injection Molded Plastic (PMMA)
2. Aspheric Surfaces Design
3. Design Wavelength 650nm
4. F-Number 1.80
5. BFL 3.41mm
6. Clear Aperture 2.5mm
7. Lens Diagram



ROITHNER LASERTECHNIK

A-1040 VIENNA, SCHOENBRUNNER STRASSE 7, AUSTRIA

TEL: +43 -1- 586 52 43-0 FAX: +43 -1- 586 52 43-44

e-mail: office@roithner-laser.com <http://www.roithner-laser.com>