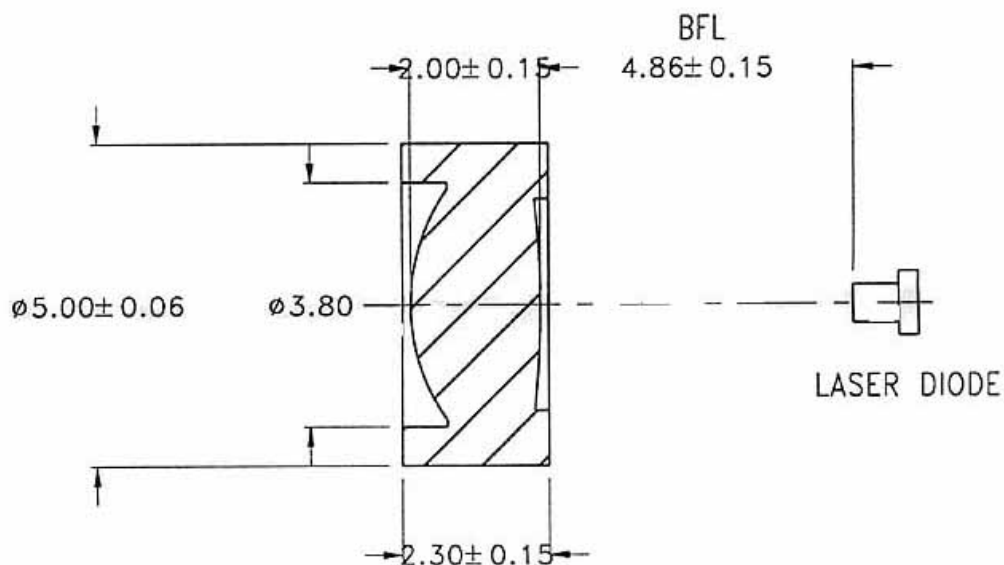


# **LC5**

## **ACRYLIC LASERDIODE COLLIMATOR**

### 5 $\Phi$ Collimating Lens for Laser Diode

1. Injection Molded Plastic Lens (PMMA)
2. Aspheric Surfaces Design
3. Design Wavelength            650 nm
4. F-Number                        1.70
5. BFL                                4.86mm
6. Clear Aperture                3.80mm
7. Lens Diagram



## **ROITHNER LASERTECHNIK**

A-1040 VIENNA, SCHOENBRUNNER STRASSE 7, AUSTRIA

TEL: +43 -1- 586 52 43-0 FAX: +43 -1- 586 52 43-44

e-mail: [office@roithner-laser.com](mailto:office@roithner-laser.com) <http://www.roithner-laser.com>