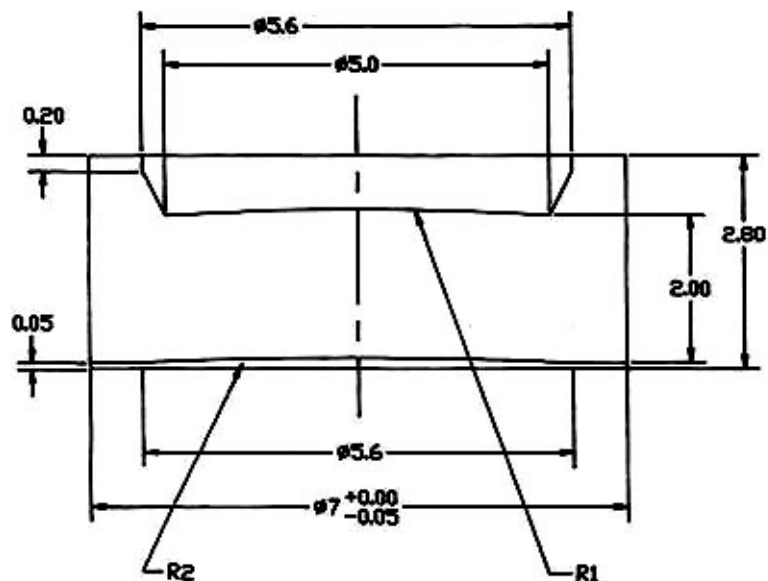


# **LENS-05**

## **ACRYLIC LASERDIODE COLLIMATOR**

### **TECHNICAL DATA:**

- acrylic material
- both sides AR coated
- eff. focus length = 8.00 mm
- back focal length = 6.47 mm
- NA = 0.3
- RMS wavelength error =  $0.05 \lambda$
- wavelength: 635 nm .. 780 nm
- dimension:  $\varnothing 7.00$  mm x 2.80 mm



## **ROITHNER LASERTECHNIK**

A-1040 VIENNA, SCHOENBRUNNER STRASSE 7, AUSTRIA

TEL: +43 -1- 586 52 43-0 FAX: +43 -1- 586 52 43-44

e-mail: [office@roithner-laser.com](mailto:office@roithner-laser.com) <http://www.roithner-laser.com>