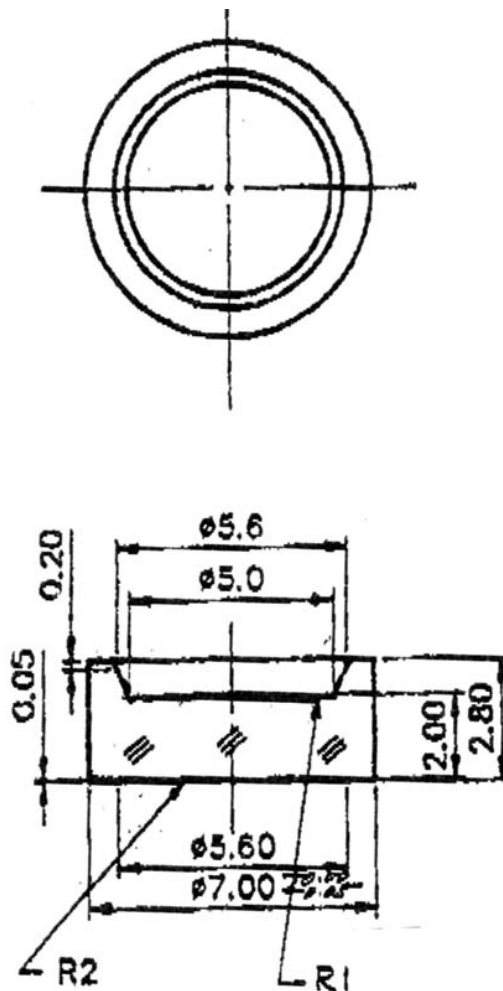


LENS-09

SMALL ANGLE ACRYLIC LINE GENERATOR

TECHNICAL DATA:

- acrylic material
- both sides AR coated
- full angle typ. 3.5°
- dimension: $\varnothing 7.00 \times 2.80$ mm



ROITHNER LASERTECHNIK

A-1040 VIENNA, SCHOENBRUNNER STRASSE 7, AUSTRIA

TEL: +43 -1- 586 52 43-0 FAX: +43 -1- 586 52 43-44

e-mail: office@roithner-laser.com <http://www.roithner-laser.com>