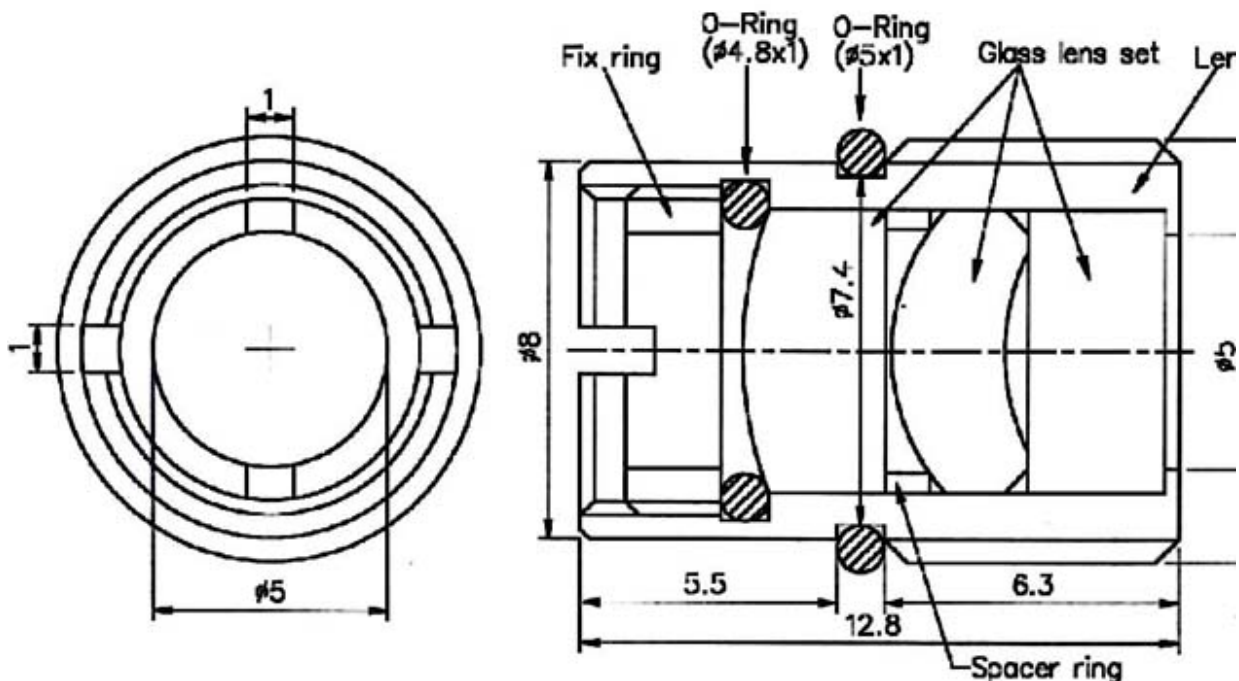


LENS-20

LASERDIODE COLLIMATOR

TECHNICAL DATA:

- effective focal length = 8.0 mm
- back focal length = 1.5 mm
- NA = 0.3
- F/# = 1/1.6
- back focal length = 1.5 mm
- 3-element glass lens, AR coated
- designed for 650 nm \pm 30 nm
- M 9 x 0.5 mm, aluminium black
- divergence: 2 mrad, exit pupil = 5 mm



LENS-20

ROITHNER LASERTECHNIK

A-1040 VIENNA, SCHOENBRUNNER STRASSE 7, AUSTRIA

TEL: +43 -1- 586 52 43-0 FAX: +43 -1- 586 52 43-44

office@roithner-laser.com www.roithner-laser.com

