

Basic Information



Model No **WS1-130F**

Weight 10g

Dimension $\Phi 32.16 \times 19.15 \times \Phi 10.80$ mm

Technical Information

30 mm Flood Lens

30 mm Module

Up to 90% efficiency

20° viewing angle

Works with all Luxeon products

Optical grade Acrylic plastic

Application

Reading lights(car, bus, aircraft)

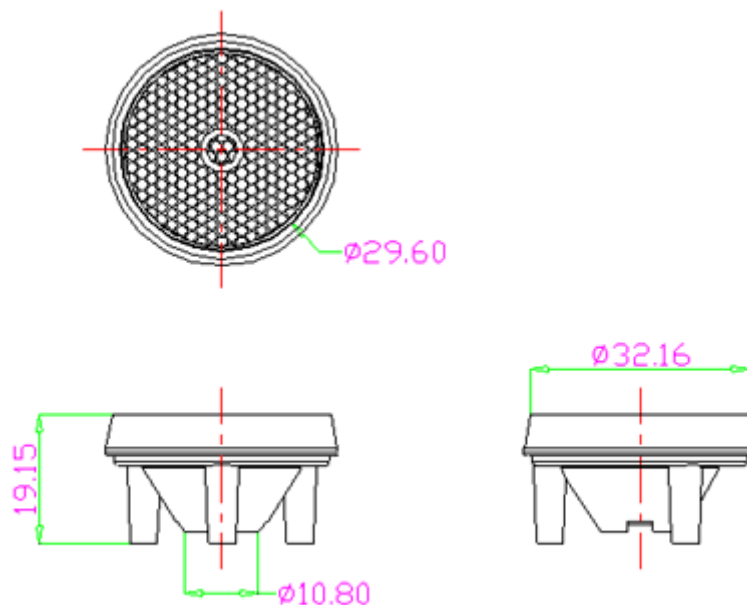
Portable (flashlight, bicycle)

Mimi-accent / Decorative / Fiber Optics Alternative

Undershelf / Task Lighting

Indoor and Outdoor Commercial and Residential Architectural lighting

Mechanical Dimensions



ROITHNER LASERTECHNIK GmbH

WIEDNER HAUPTSTRASSE 76 1040 VIENNA AUSTRIA
TEL. +43 1 586 52 43 -O. FAX. -44. OFFICE@ROITHNER-LASER.COM

