

Basic Information



Model No **WS1-130S**

Weight: 10 g

Dimension: $\Phi 32.16 \times 19.15 \times \Phi 10.80$ mm

Technical Information

30 mm spot lens

30 mm module

up to 90% efficiency

10° viewing angle

works with all Luxeon products

optical grade acrylic plastic

Application

reading lights (car, bus, aircraft)

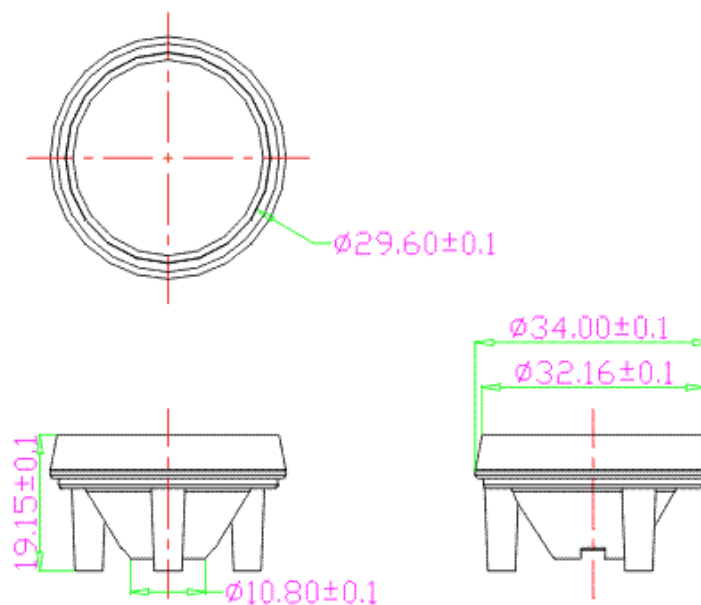
portable (flashlight, bicycle)

mimi-accent / decorative / fiber optics alternative

undershelf / task lighting

indoor and outdoor commercial and residential architectural lighting

Mechanical Dimensions



ROITHNER LASERTECHNIK GmbH

WIEDNER HAUPTSTRASSE 76 1040 VIENNA AUSTRIA
TEL. +43 1 586 52 43 -0. FAX. -44. OFFICE@ROITHNER-LASER.COM

