



5W4HCA-H20

Super Bright White LED

Features

high intensity LED lamp
 5 mm round epoxy package
 UV resistant epoxy for outdoor use

Applications

indicators
 illumination

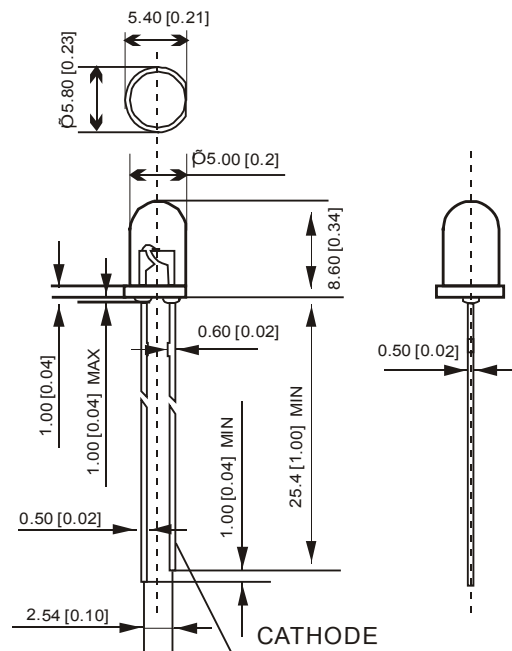
Absolute Maximum Ratings (Ta = 25 °C)

Parameter	Symbol	Max	Unit
Power Dissipation	P _D	100	mW
Peak Forward Current *)	I _{FP}	80	mA
Continuous Forward Current	I _F	30	mA
Reverse Voltage	V _R	5	V
Operating Temperature Range	T _{opr}	-30 to +80 °C	
Storage Temperature Range	T _{stg}	T _{stg} -40 °C to +100 °C	
Lead Soldering Temperature **)	T _{sol}	260	°C

*) Duty cycle max. 1/10, Pulse Width max. 0.1 ms

**) At the position of 4 mm from the bottom of the package within 5 seconds

Package Dimensions



Unit: mm[inches]

Tolerance: ±0.25mm[0.01]

Electrical Optical Characteristics (Ta = 25 °C @ I_f = 20 mA)

Part No.	Material	Lens	Emitting Color	Forward Voltage (V)		Luminous Intensity (mcd)		Chromaticity Coordinate (x/y)	Viewing Angle (2θ1/2)
				Typ	Max	Min	Max		
5W4HCA-H20	InGaN	Water Clear	White	3.2	3.6	19000	25000	0.32/0.30	20
5W4HCA-H20-16	InGaN	Water Clear	White	3.0	3.6	18000	26000	0.32/0.30	20
5W4HCA-H20-ULTRA	InGaN	Water Clear	White	3.0	3.6	25000	33000	0.32/0.30	20

Caution in ESD

1. Static electricity and surge damages the LEDs. It is recommended to use a wrist band or anti-electrostatic glove when handling the LEDs. All devices and equipment and machinery must be properly grounded.
2. When inspecting own final products on which LEDs were mounted, It is easy to find static-damaged LEDs by light emission test at lower current (below 1 mA is recommended) .
3. Damaged LEDs will show some unusual characteristics such as leak current remarkably increases, starting forward voltage becomes lower, or the LEDs get unlighted at the low current.