



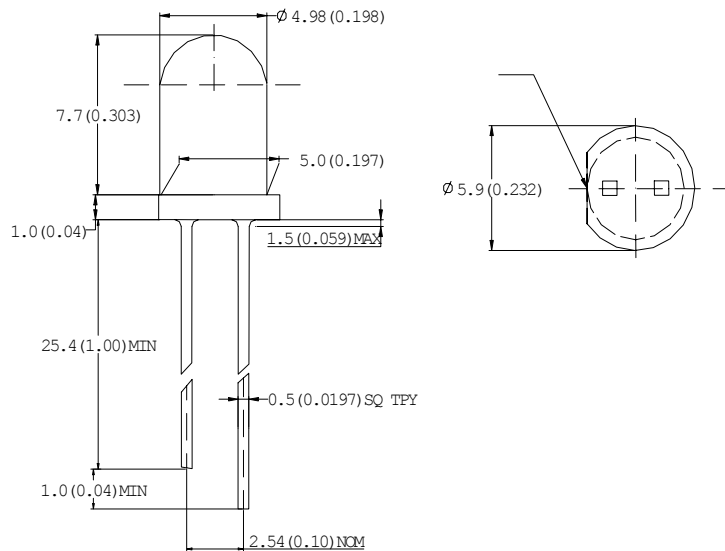
## RLS-UV395

●ABSOLUTE MAXIMUM RATINGS □Ta=25°C□

|                            |                       |
|----------------------------|-----------------------|
| Reverse Voltage            | 5v                    |
| Reverse Current □VR=5v□    | □10uA                 |
| Operating Temperature      | -40°C~85°C            |
| Storage Temperature        | -40°C~100°C           |
| Lead Soldering Temperature | 250°C For (5 Seconds) |
| Power Dissipation          | 4.5mw                 |

●ELECTRICAL AND OPTICAL CHARACTERISTICS Ta=25°C

| Emitted Color | Chromaticity Coordinates(note4) At(20MA) | Lens Appearance | Absolute Maximum Rating |         |             | ELECTRO-OPTICAL DATE (At20MA) |     |         |     | Viewing Angle 2θ 1/2 (deg) |
|---------------|--|-----------------|-------------------------|---------|-------------|-------------------------------|-----|---------|-----|----------------------------|
|               |  |                 | Pd (mw)                 | IF (mA) | Peak IF(mA) | VF(v)                         |     | IV(mcd) |     |                            |
| Ultra Violet  | λp(nm)                                   | Water Clear     | 60                      | 20      | 150         | TYP                           | max | min     | TYP | 15±2                       |
|               | 390-395                                  |                 |                         |         |             | 3.4                           | 3.7 | 80      | 120 |                            |



- NOTES:**
- 1.All dimensions are in millimeters (inches)
  - 2.Tolerance is  $\pm 0.25\text{mm}(0.01)$  unless otherwise specified.
  - 3.The products are sensitive to static electricity and care must be fully taken when handling products.
  - 4.Lead spacing is measured where the leads emerge from the package.
  5. Power of chip led is 3.5mw
  - 6.Specifications are subjected to change without notice