



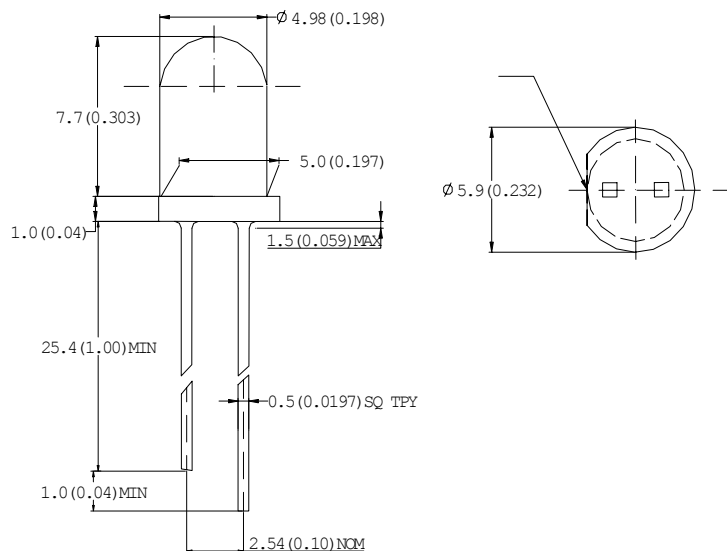
RLS-UV400

●ABSOLUTE MAXIMUM RATINGS Ta=25°C

Reverse Voltage	5v
Reverse Current □VR=5v□	□10uA
Operating Temperature	-40°C~85°C
Storage Temperature	-40°C~100°C
Lead Soldering Temperature	250°C For (5 Seconds)
Power Dissipation	4.5mw

●ELECTRICAL AND OPTICAL CHARACTERISTICS Ta=25°C

Emitted Color	Chromaticity Coordinates(note4) At(20MA) λ_p (nm)	Lens Appearance	Absolute Maximum Rating			ELECTRO-OPTICAL DATE (At20MA)				Viewing Angle 2 θ 1/2 (deg)
			Pd (mw)	IF (mA)	Peak IF(mA)	VF(v)		IV(mcd)		
						TYP	max	min	TYP	
Ultra Violet	400-410	Water Clear	60	20	150	3.4	3.7	30	50	15



- NOTES:**
1. All dimensions are in millimeters (inches)
 2. Tolerance is ± 0.25 mm(0.01) unless otherwise specified.
 3. The products are sensitive to static electricity and care must be fully taken when handling products.
 4. Lead spacing is measured where the leads emerge from the package.
 5. Power of chip led is 3.5mw
 6. Specifications are subjected to change without notice