



ROITHNER LASERTECHNIK GmbH

WIEDNER HAUPTSTRASSE 76
TEL. +43 1 586 52 43 -O. FAX. -44

1040 VIENNA AUSTRIA
OFFICE@ROITHNER-LASER.COM



ADL-85501TL

- Infrared Laser Diode
- 850 nm, 50 mW
- Single mode
- TO56 package, Flat Window



Description

ADL-85501TL is an infrared laser diode, typically emitting at 850 nm, with a nominal output power of 50 mW. It features single mode emission and maximum operating temperature of 50°C. It is an efficient radiation source for many industrial applications. **ADL-85501TL** comes in 5.6 mm TO-Can package **with integrated PD**.

Maximum Rating* (T_{CASE} = 25°C)

Parameter	Symbol	Values		Unit
		Min.	Max.	
Optical Output Power* ¹	P _O (CW)		50	mW
LD Reverse Voltage	V _{RLD}		2	V
PD Reverse Voltage	V _{RPD}		30	V
PD Forward Current	I _{FPD}		10	mA
Operating Temperature* ¹	T _{OPR}	- 10	+ 50	°C
Storage Temperature	T _{STG}	- 40	+ 85	°C
Soldering Temperature (max. 3s)	T _{SOL}		+ 260	°C

* operating outside these conditions may damage the device

*¹ operating at or close to maximum ratings may influence the life time



Electro-Optical Characteristics (T_{CASE} = 25°C, P_O=50 mW)

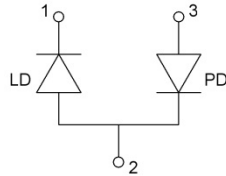
Parameter	Symbol	Values			Unit	
		Min.	Typ.	Max.		
Peak Wavelength	λ _P	840	850	860	nm	
Optical Output Power	P _O		50		mW	
Operating Voltage	V _F		1.8	2.4	V	
Threshold Current	I _{th}		25	30	mA	
Operating Current	I _F		95	105	mA	
Monitor Current (V _{RD} = 5 V)	I _M	0.2	0.5	1.0	mA	
Slope Efficiency	CW	0.7	0.8	1.0	W/A	
Beam Divergence (FWHM)	parallel	θ	6	9	12	deg.
	perpendicular	θ _⊥	26	30	35	deg.
Beam Divergence accuracy (FWHM)	parallel	Δθ	-3		+3	deg.
	perpendicular	Δθ _⊥	-3		+3	deg.
Emission Point Accuracy	Δx, Δy, Δz		-80		+80	μm



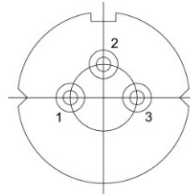
Electrical Connection

Pin Configuration

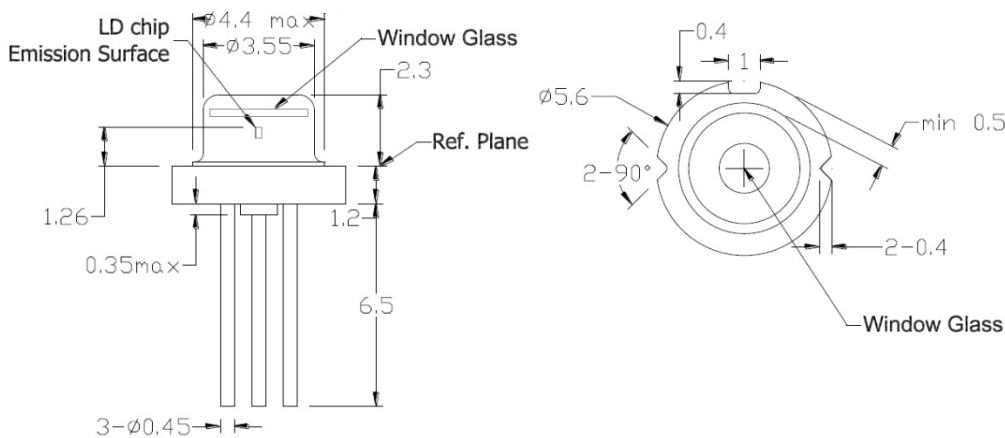
Pin #	Function
Pin 1	LD Cathode
Pin 2	LD Anode, PD Cathode
Pin 3	PD Anode



Bottom View



Outline Dimensions



All dimensions in mm

Precautions

Safety

Caution: Laser light emitted from any laser diode may be **harmful to the human eye**. Avoid looking directly into the laser diode's aperture when the diode is in operation.

Note: The use of optical lenses with this laser diode will increase eye hazard

ESD caution

Always do handle laser diodes with extreme care to **prevent electrostatic discharge**, the primary cause of unexpected diode failure. To prevent ESD related failures, it is strongly advised to always **wearing wrist straps**, and **grounding all applicable work surfaces**, when handling laser diodes

Operating Considerations

It is strongly advised to only operate this laser diode with a current source. The current of a laser diode is an exponential function of the voltage across it. **Usage of current regulated drive circuits is mandatory**. Laser diodes may be damaged by excessive drive currents or switching transients

It is advised, to operate the laser diode at the lowest temperature possible, and to never exceed maximum specifications as outlined in the datasheet. Device degradation will accelerate with increased temperature. **Proper heat sinking will greatly enhance stability and life time of the laser diode**