



RLT1550-200GS

- Infrared Laser Diode
- 1550 ±20 nm, 200 mW
- Single transverse mode
- 9 mm TO-Can



Description

RLT1550-200GS is an infrared Fabry Perot laser diode, typical emitting at 1550 nm. It features single transverse mode emission, CW or pulse operation, low threshold current and high slope efficiency. **RLT1550-200GS** comes in 9 mm TO-Can package with **integrated PD**.

Absolute Maximum Ratings

| Parameter | Symbol | Values | Unit |
|-------------------------|------------|-----------|------|
| Output Power | P_O | 250 | mW |
| Operating Temperature | T_{CASE} | -20 ..+50 | °C |
| Storage Temperature | T_{STG} | -40 ..+80 | °C |
| Soldering Temperature * | T_{SLD} | 260 | °C |

* must be completed within 5 seconds

Electro-Optical Characteristics

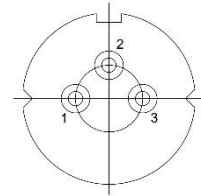
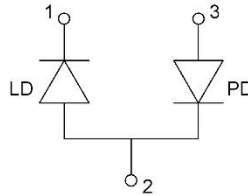
$T_{CASE} = 25^{\circ}C$

| Parameter | Symbol | Min. | Typ. | Max. | Unit |
|---------------------------------------|------------------|------|------|------|-------|
| Peak Wavelength | λ_P | 1540 | 1550 | 1570 | nm |
| Spectral Width (FWHM) | $\Delta\lambda$ | | 5 | | nm |
| Optical Output Power | P_O | | 200 | | mW |
| Emitter Size | | | 5x1 | | μm |
| Operating Voltage | V_{OP} | | 2.5 | 3.0 | V |
| Threshold Current | I_{TH} | | 80 | 150 | mA |
| Operating Current | I_{OP} | | 600 | | mA |
| Monitor Current | I_M | 0.05 | | | mA |
| Slope Efficiency | η | | 0.7 | | mW/mA |
| Temperature Coefficient | | | 0.27 | | nm/°C |
| Beam Divergence, Parallel (FWHM) | $\theta_{ }$ | 6 | 11 | 15 | deg. |
| Beam Divergence, Perpendicular (FWHM) | θ_{\perp} | 25 | 30 | 35 | deg. |



Pin Configuration

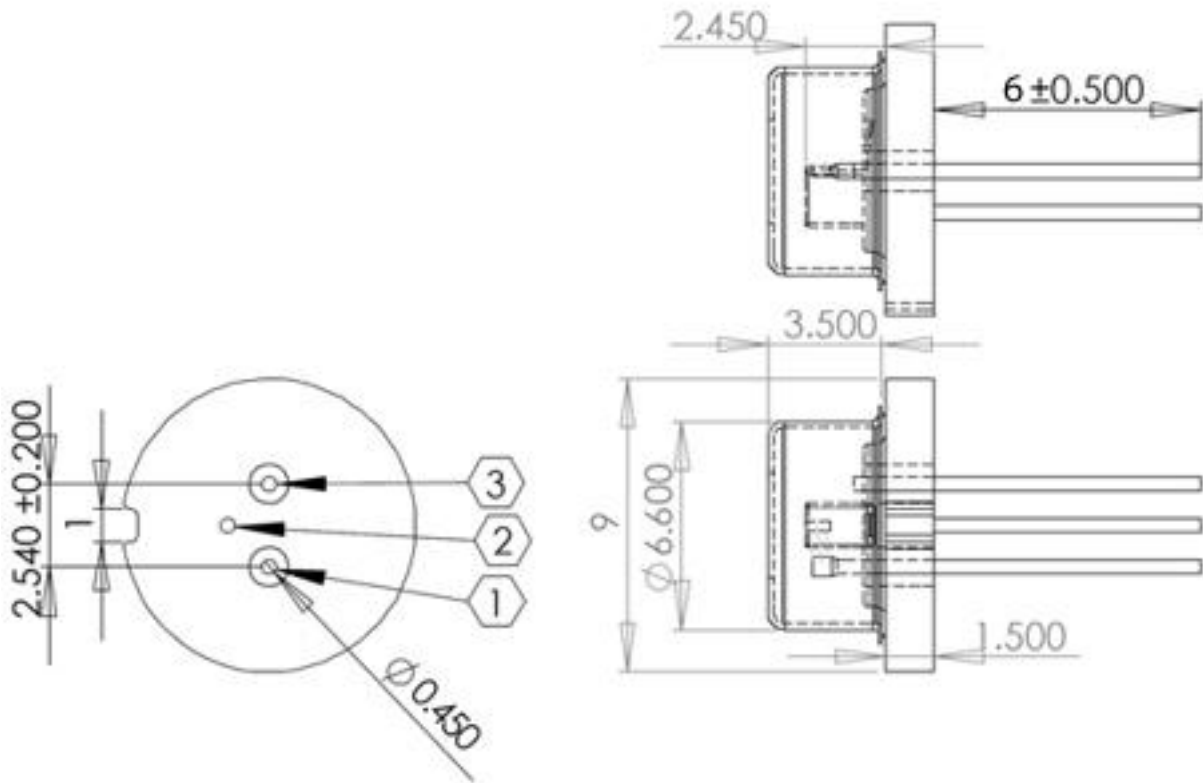
| Pin | Description |
|-----|----------------------|
| 1 | LD Cathode |
| 2 | LD Anode, PD Cathode |
| 3 | PD Anode |



bottom view

Outline Dimensions

9 mm TO-can



Dimensions: mm



Precautions

Safety

Warning: This LD is emitting invisible laser radiation!

Caution: Laser light emitted from any laser diode may be harmful to the human eye. Avoid looking directly into the laser diode's aperture when the diode is in operation.

Note: The use of optical lenses with this laser diode will increase eye hazard.



ESD Caution

Always do handle laser diodes with extreme care to prevent electrostatic discharge, the primary cause of unexpected diode failure. To prevent ESD related failures, it is strongly advised to always wearing wrist straps, and grounding all applicable work surfaces, when handling laser diodes.

Operating Considerations

It is strongly advised to only operate this laser diode with a current source. The current of a laser diode is an exponential function of the voltage across it. Usage of current regulated drive circuits is mandatory. Laser diodes may be damaged by excessive drive currents or switching transients.

It is advised, to operate the laser diode at the lowest temperature possible, and to never exceed maximum specifications as outlined in the datasheet. Device degradation will accelerate with increased temperature. Proper heat sinking will greatly enhance stability and life time of the laser diode.

© All Rights Reserved

The above specifications are for reference purpose only and subjected to change without prior notice