



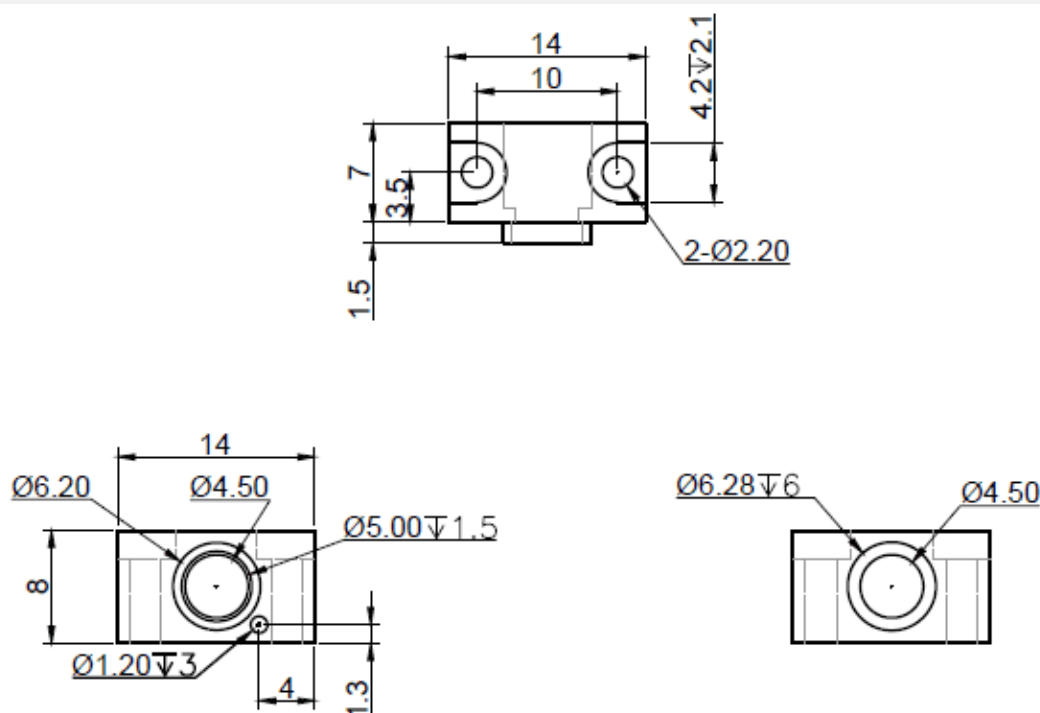
Heat Sink SPL-Coax-B8

- Heat Sink for SPL type coaxial laser diodes
- Aluminium
- 14 x 7 x 8 mm
- Acceptance diameter 6.2 mm

Description

Heat Sink SPL-Coax-B8 has been specifically designed for the **SPL type** fiber pigtailed laser diodes. It greatly increases the heat dissipation capabilities of the diode and helps to increase performance and life time. It is made from CNC cut **aluminium** with an **acceptance diameter of 6.2 mm**. For best performance it is advised to add thermal conductive paste between diode and heat sink, and to mount the heat sink on a metal foundation plate.

Outline



All dimensions in mm

Caution

When **installing** the **SPL-Coax-B8** heat sink onto the SPL-type laser diode, care must be taken **not to induce any mechanical stress on the fiber coupling mechanism**, and to **avoid any tensioning of the coaxial package**. Failure to do so may ultimately damage the laser diode, as the pigtail cannot be adjusted, once it has been brought out of alignment.

