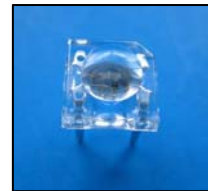




3RGB13HCA TECHNICAL DATA



Super Flux RGB LED

Emitting Color	Chip Material
RED	AlGaInP
GREEN	InGaN
BLUE	InGaN

Characteristics ($T_a=25^\circ\text{C}$, $I_R=I_G=I_B=20\text{mA}$)

Emitting Color	λ_p Wavelength (nm)	Lens Type	Forward Voltage V_f (V)	Luminous Flux(lm)	Luminous Intensity (mcd)	Viewing Angle (°)
RED	620 – 630	Water Clear	1.8 – 2.4	1.5 – 2.5	800 – 1000	95 ±5
GREEN	515 – 525		3.0 – 3.6	3.0 – 4.0	1500 – 2000	75 ±5
BLUE	460 – 470		2.8 – 3.4	1.0 – 1.5	650 - 850	65 ±5

Absolute Maximum Ratings ($T_a=25^\circ\text{C}$)

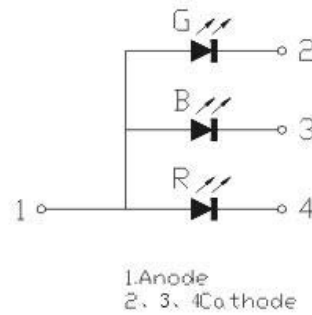
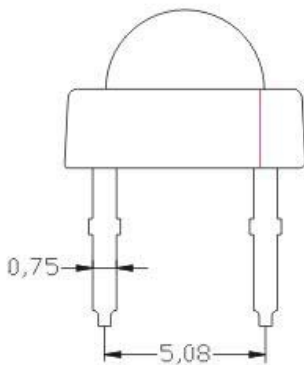
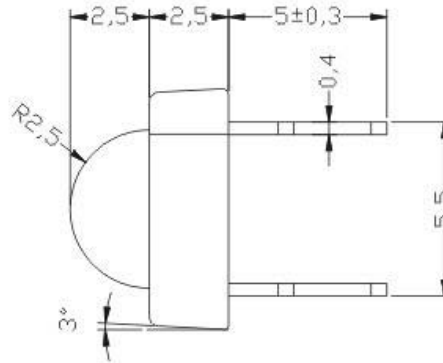
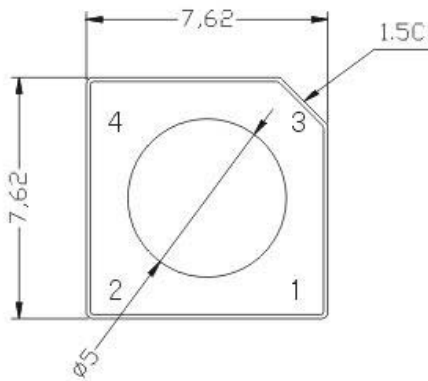
Item	Symbol	Maximum Rated Value	Unit
Power Dissipation	P_D	R: 48 G: 72 B: 68	mW
ESD (HBM)	ESD	R: 5000 G: 2000 B: 2000	V
Peak Forward Current (1/10 Duty Cycle, 0.1 mS Pulse Width)	I_{FP}	40	mA
Reverse Voltage	V_R	5	V
Reverse Current	I_R	≤ 5	μA
Operating Temperature	T_{OPR}	-40 ... +80	°C
Storage Temperature	T_{STG}	-40 ... +100	°C
Soldering Temperature	T_{SOL}	260	°C

Notes

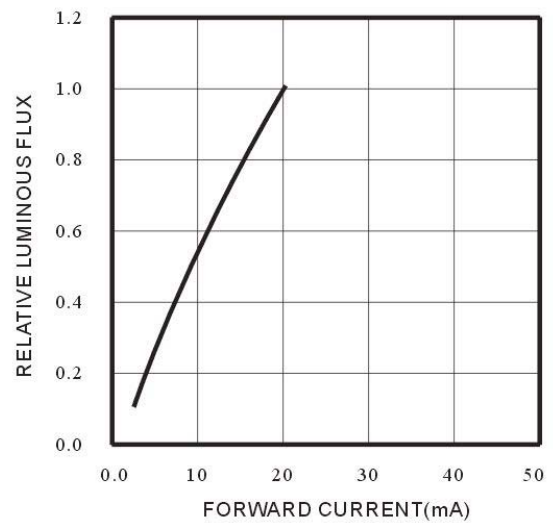
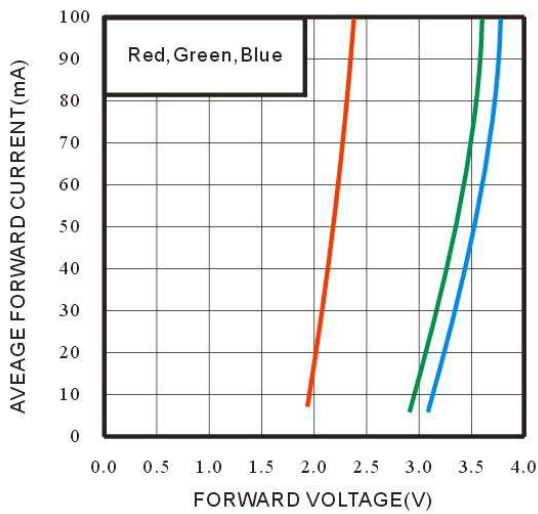
- All dimensions are millimeters
- Tolerances are ±0.1 mm unless otherwise specified.
- Under the stipulated characteristics parameters above, the life span of the LED is more than 20,000 hours.
- The data on this specification is for reference only and the actual data is in accordance with the acknowledgment.



Figure and Size (Unit:mm)



Typical Optical/Electrical Characteristics Curves (Ta=25°C)





ROITHNER LASERTECHNIK

Wiedner Hauptstraße 76, A-1040 Vienna, Austria

Tel.: ++43 1 586 52 43-0, Fax -44, office@roithner-laser.com

