



## I5LA5113A

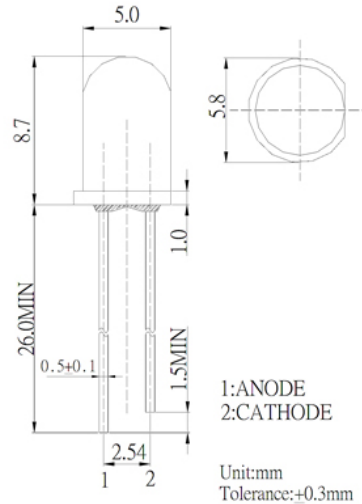
### ■Features

- High Radiant Power LEDs
- 5mm Round Standard Directivity
- Superior Weather-resistance
- UV Resistant Epoxy
- Color Transparent Type

### ■Applications

- IrDA
- Encoder
- Data Communication

### ■Outline Dimension



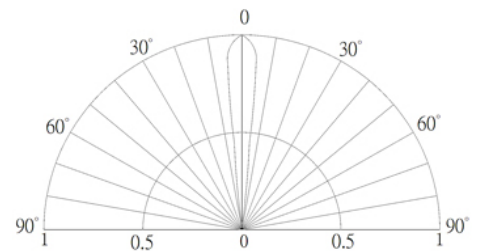
### ■Absolute Maximum Rating

(Ta=25°C)

Item	Symbol	Value	Unit
DC Forward Current	$I_F$	100	mA
Pulse Forward Current*	$I_{FP}$	1000	mA
Reverse Voltage	$V_R$	5	V
Power Dissipation	$P_D$	180	mW
Operating Temperature	$T_{opr}$	-30 ~ +85	°C
Storage Temperature	$T_{stg}$	-40 ~ +100	°C
Lead Soldering Temperature	$T_{sol}$	260°C / 5sec	-

\* Pulse Width  $\leq$  100us, Duty  $\leq$  1/100

### ■Directivity



### ■Electrical -Optical Characteristics

(Ta=25°C)

Item	Symbol	Condition	Min.	Typ.	Max.	Unit
DC Forward Voltage	$V_F$	$I_F=100mA$	-	1.6	1.8	V
DC Reverse Current	$I_R$	$V_R=5V$	-	-	10	$\mu A$
Peak Wavelength	$\lambda_p$	$I_F=100mA$	-	940	-	nm
Radiant Intensity*	$I_e$	$I_F=100mA$	-	35	45	mW/Sr
50% Power Angle	$2\theta_{1/2}$	$I_F=100mA$	-	15	-	deg

\*1 Tolerance of Peak wavelength is  $\pm 1nm$

\*2 Tolerance of I Radiant Intensity is  $\pm 15\%$