



FCPD-1000-FC

- InGaAs PIN Photodiode
- Ø 1 mm active area
- 0.85 – 1.7 µm spectral range
- FC Receptacle package



Description

FCPD-1000-FC is an **InGaAs** PIN photodiode with an active area of Ø 1 mm in a receptacle package with FC/PC connector. It features a wide range of sensitivity from 850 nm to 1700 nm, high responsivity, low terminal capacitance, and low dark current. **FCPD-1000-FC** is optionally available with different connectors and fiber pigtailed package.

Maximum Ratings*

Parameter	Symbol	Values		Unit
		Min.	Max.	
Reverse Voltage	U_R		40	V
Forward Current	I_F		10	mA
Operating Temperature	T_{OPR}	- 40	+ 85	°C
Storage Temperature	T_{STG}	- 40	+ 125	°C
Soldering Temperature ($t_{MAX} = 5s$)	T_{SOL}		+ 260	°C

* operating close to or outside these conditions may damage the device

Electro-Optical Characteristics ($T_{CASE} = 23°C$)

Parameter	Symbol	Condition	min.	typ.	max.	Unit
Spectral Range	λ		850	1310	1700	nm
Aperture Diameter	\varnothing			1		mm
Dark Current	I_D	$U_R=5 V$		1	5	nA
Capacitance	C	$U_R=5 V$		40	60	pF
Responsivity	S	1301 nm	0.80	0.85		A/W
		1550 nm	0.85	0.90		
Rise / Fall Time	t_R / t_F	$U_R=5 V$		1.0	5.0	ns
Saturation Power	P_S	$U_R=5 V$	10			mW
Fiber Connector					FC *	

* optional: SC or ST



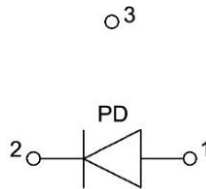


Electrical Connection

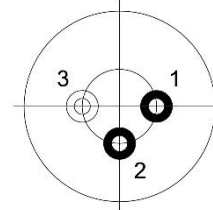
Pin Configuration*

Pin #	Function
Pin 1	PD Anode
Pin 2	PD Cathode
Pin 3	Case

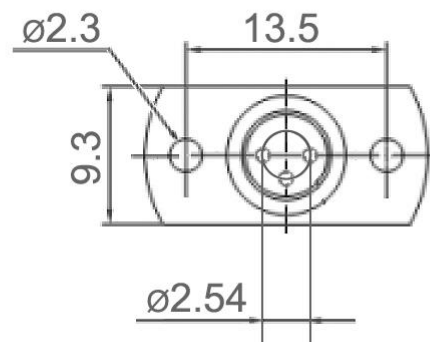
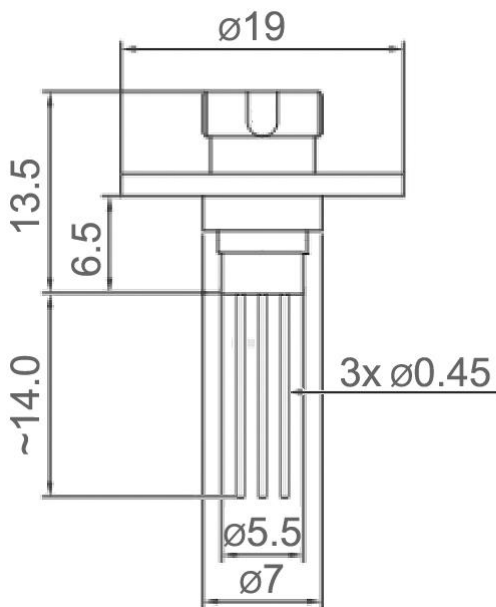
* subject to change



Bottom View



Outline Dimensions



All dimensions in mm

© All Rights Reserved

The above specifications are for reference purpose only and subjected to change without prior notice